

Quick-fit couplings

with radial off-set compensation

SPECIFICATION

Types

- Type **A**: with male thread
- Type **B**: with female thread

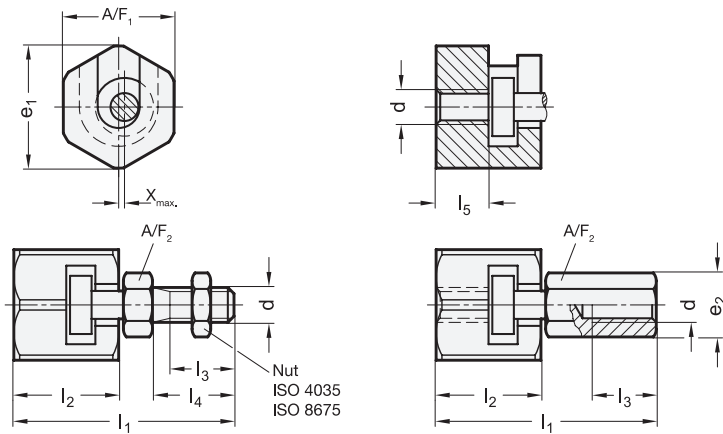
Steel

- tempered
- phosphated

INFORMATION

Quick-fit couplings GN 240 have been designed for the purpose of compensating a radial shaft off-set (x). A typical application is the axial link to a piston rod of a cylinder operating in any type of fixture or system.

The coupling is **not** designed for the transfer of torque.



GN 240

Description	d	e1	e2 ≈	l1 ≈	l2	l3 min.	l4	l5 +1.0	A/F 1	A/F 2	x	Max. pull-/push load in kN	⚖️
GN 240-M6-A	M6	21	11	37.5	18	11	14	9	19	10	0.6	2.5	42
GN 240-M8-A	M8	26	14.5	45	22.5	13-5	17	11.5	24	13	0.7	4.5	84
GN 240-M10-A	M10	30	19	56	29	16	20	16	27	17	0.7	6.5	144
GN 240-M10x1.25-A	M10x1.25	30	19	56	29	16	20	16	27	17	0.7	6.5	144
GN 240-M12-A	M12	32.5	21	66.5	34	21	25	17	30	19	0.8	10	205
GN 240-M12x1.25-A	M12x1.25	32.5	21	66.5	34	21	25	17	30	19	0.8	10	205
GN 240-M16-A	M16	39	27	83	42	25	30	23	36	24	1	18	384
GN 240-M16x1.5-A	M16x1.5	39	27	83	42	25	30	23	36	24	1	18	385
GN 240-M20-A	M20	44	34	93.5	45.5	29	35	23.5	41	30	1	30	568
GN 240-M20x1.5-A	M20x1.5	44	34	93.5	45.5	29	35	23.5	41	30	1	30	568
GN 240-M6-B	M6	21	11	37.5	18	11	14	9	19	10	0.6	2.5	45
GN 240-M8-B	M8	26	14.5	45	22.5	13-5	17	11.5	24	13	0.7	4.5	89
GN 240-M10-B	M10	30	19	56	29	16	20	16	27	17	0.7	6.5	155
GN 240-M10x1.25-B	M10x1.25	30	19	56	29	16	20	16	27	17	0.7	6.5	155
GN 240-M12-B	M12	32.5	21	66.5	34	21	25	17	30	19	0.8	10	220
GN 240-M12x1.25-B	M12x1.25	32.5	21	66.5	34	21	25	17	30	19	0.8	10	220
GN 240-M16-B	M16	39	27	83	42	25	30	23	36	24	1	18	397
GN 240-M16x1.5-B	M16x1.5	39	27	83	42	25	30	23	36	24	1	18	398
GN 240-M20-B	M20	44	34	93.5	45.5	29	35	23.5	41	30	1	30	599
GN 240-M20x1.5-B	M20x1.5	44	34	93.5	45.5	29	35	23.5	41	30	1	30	594

